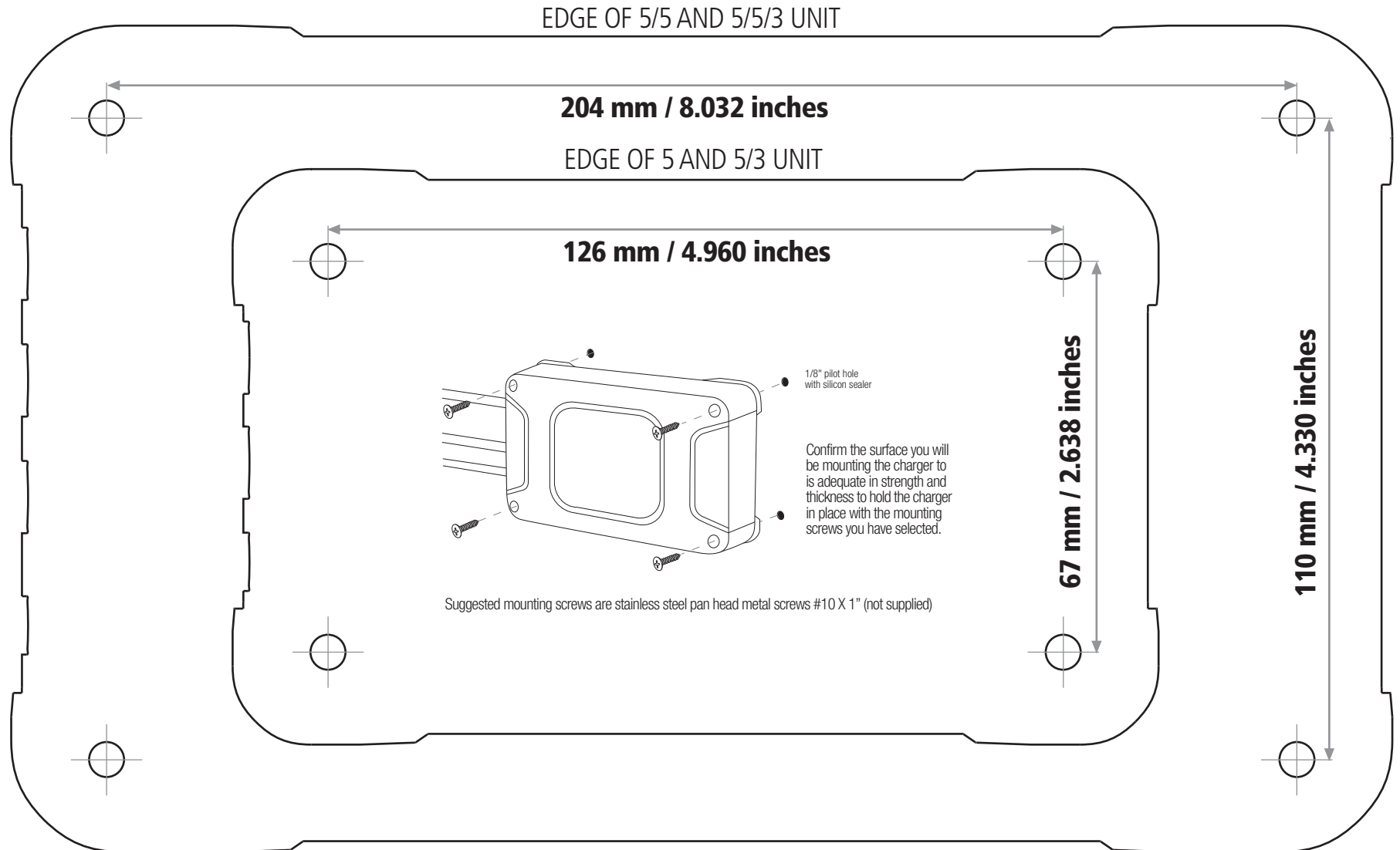


TAPE TO MOUNTING LOCATION TO MARK OR DRILL HOLES

CAUTION

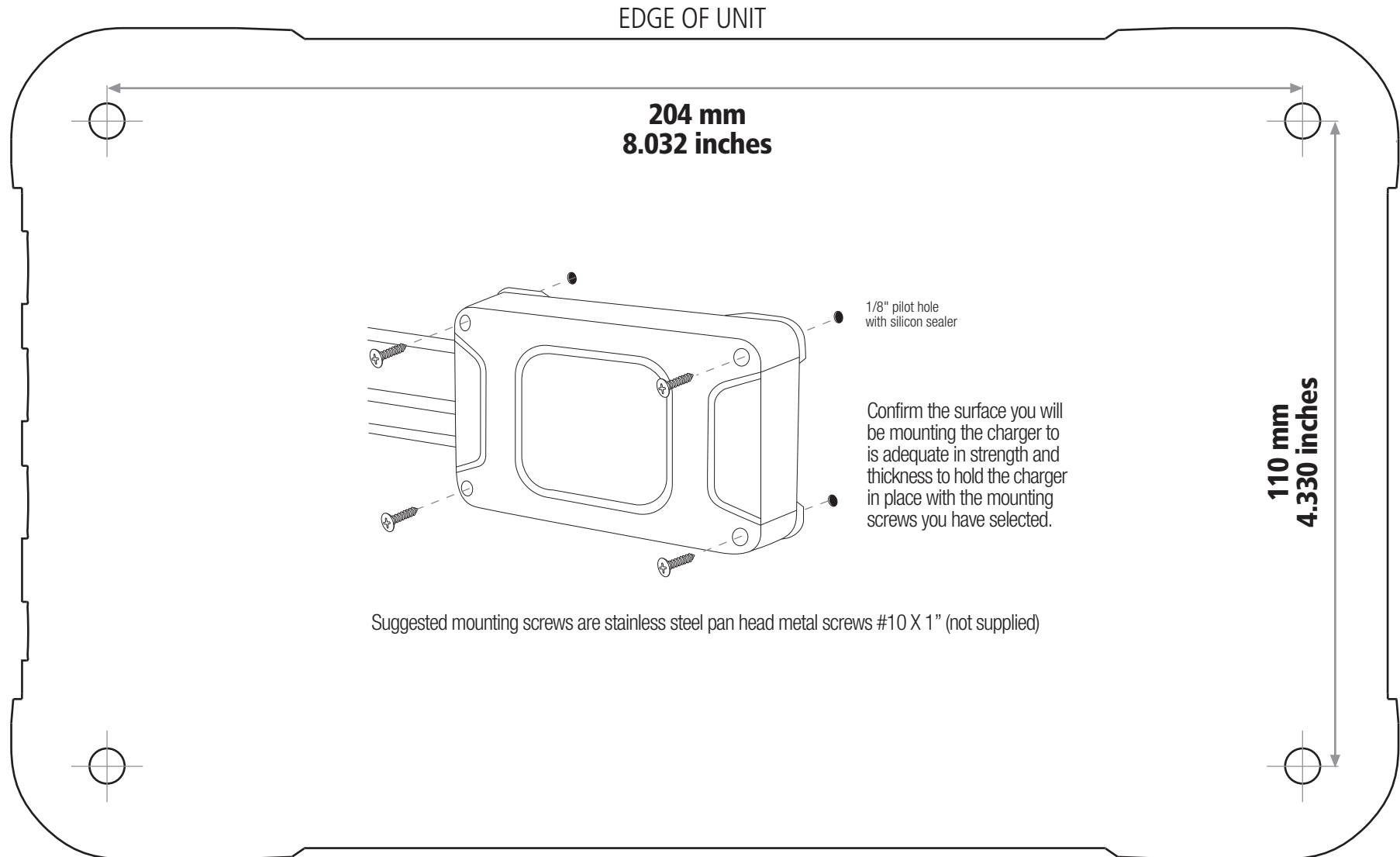
Prior to drilling holes be aware of wire harness, fuel line and fuel tank locations. Leave adequate space for airflow behind and around the unit. Do not mount on a carpeted surface as it may block the airflow across the back of unit. Please read owner's manual prior to installation.



TAPE TO MOUNTING LOCATION TO MARK OR DRILL HOLES

CAUTION

Prior to drilling holes be aware of wire harness, fuel line and fuel tank locations. Leave adequate space for airflow behind and around the unit. Do not mount on a carpeted surface as it may block the airflow across the back of unit. Please read owner's manual prior to installation.



TAPE TO MOUNTING LOCATION TO MARK OR DRILL HOLES

CAUTION

Prior to drilling holes be aware of wire harness, fuel line and fuel tank locations. Leave adequate space for airflow behind and around the unit. Do not mount on a carpeted surface as it may block the airflow across the back of unit. Please read owner's manual prior to installation.

